

**SA136F Series, Rated up to 175 Amps, 240/416 VAC**

**Product Facts**

- 3PST NO, Side stable
- Gasket/Vented sealed



**Performance Data**

**Electrical Characteristics**

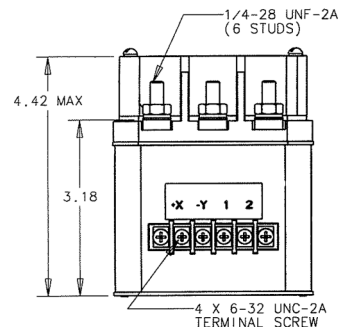
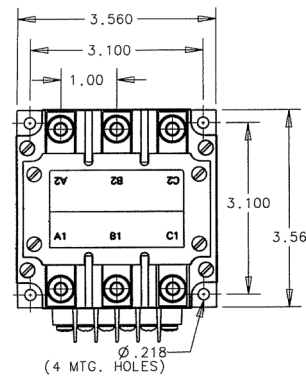
- Main Contacts** —
- Contact Arrangement** — 3PST NO, Double Break
- Rated Operating Voltage** — 240/416 VAC, 50/60/400 Hz
- Resistive Rating** — 240 Amps
- Rupture Rating** — 2400 Amps
- Auxiliary Contacts** — 1SPST NO
- Contact Arrangement** — 4PST NC
- Voltage, Nom.** — 28 Vdc
- Resistive Rating** — 5 Amps, 28 Vdc; 10 Amps, 120 VAC

**General Characteristics**

- Operating Cycles (Life) at Rated Resistive Load, Min.** — 50,000 cycles
- Operating Cycles (Life) Mechanical, Min.** — 100,000 cycles
- Weight, Max.** — 2.8 lbs

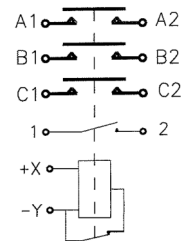
**Coil Characteristics**

- Duty Cycle** — Continuous, economizing
- Operating Voltage, Nom.** — 24 Vdc
- Pickup Voltage, Max.** — 18 Vdc
- Dropout Voltage** — 1 to 10 Vdc
- Coil Resistance** — 240A Rupture — 2400A



**Mounting Style A**

**Circuit Configurations** (Consult factory for other available circuit configurations)



**Circuit Configuration 1**

For factory-direct application assistance, phone 419-521-9500 or fax 419-526-2749.

HARTMAN Part Number	Construction Type	Mounting Style	Coil Type	Circuit Config.	TE Part Number
SA136F	Gasket/Vented	A	Continuous	1	1616948-7